

DAS335-4 Drill Alignment Systems

Fast Accurate Alignment - Now with, or without, pilot holes

The DAS335-4 Drill Alignment System has been developed to allow a single operator to accurately locate, drill and counterbore a hole precisely aligned with a target obscured by overlying materials in a single shot operation.

A target transmitter may be placed either in an existing pilot hole in the substructure or permanently fitted to removable, or fixed, jigs. Uniquely, the DAS335-4 Drill Alignment System can have multiple targets located close together, substantially increasing drilling efficiencies. This means that it is possible to remove the need for pilot holes in the substructure, eliminating a time consuming process and eradicate costly drilling concessions.

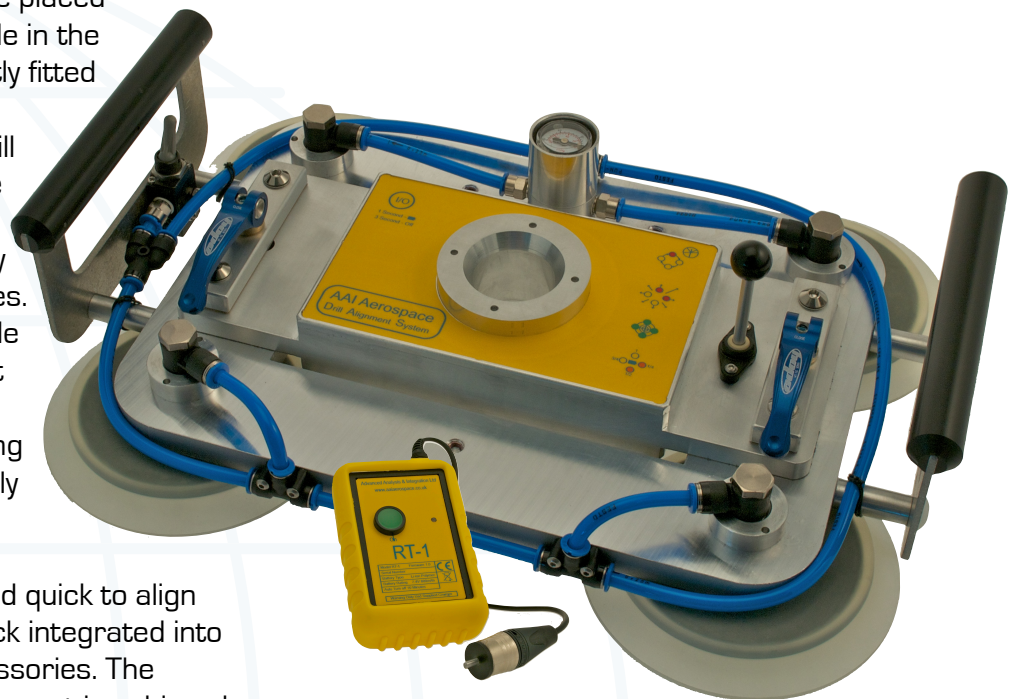
The DAS335-4 is simple and quick to align using the mechanical joystick integrated into the vacuum mounting accessories. The system indicates when alignment is achieved, removing all operator subjectivity from the drill alignment process.

The DAS335-4 is used with an industry standard automatic drill with a 35mm concentric collect drill. (other sizes are available)

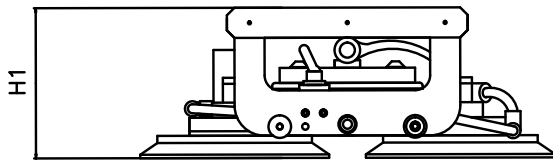
A variety of mechanical and vacuum attachment accessories are available, as well as compact portable vacuum pumps.

The DAS335-4 is self contained, rugged and, when coupled with a 12-month calibration period, provides a low through-life cost of ownership.

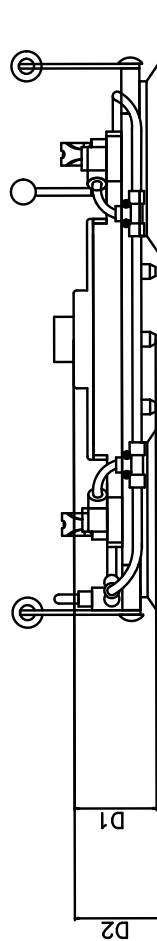
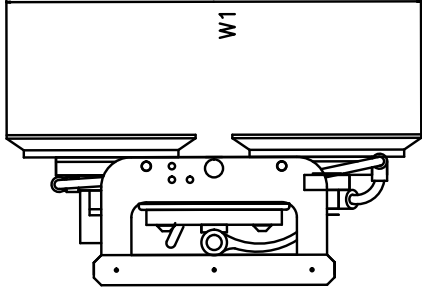
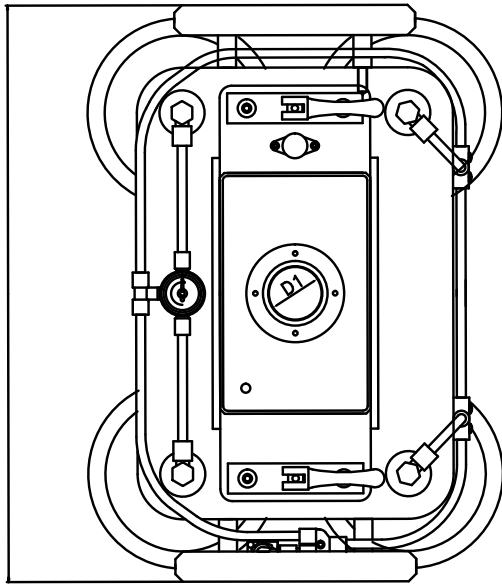
The DAS335-4 system is supplied with an alignment target, single channel target controller, charger unit and a ruggedised storage case.



Resolution	1 μ m
Accuracy	\pm 100 μ m
Standard Working Depth Special System	0 - 300mm Over 1000mm
Weight	4kg
Endurance	8 hrs continuous
Recharge Time	2 hrs



L1



MAIN DIMENSIONS (in Millimetres +/- 0.5 unless otherwise stated)	
L1 (OVERALL BODY LENGTH)	383
W1 (OVERALL BODYWIDTH)	275.5
Z1 (DEPTH VACUUM ON)	54.5
Z2 (VACUUM OFF)	58.9
H1 (VACUUM OFF)	99.8
D1 (DRILL GUIDE)	35 h7+0.0025/-0.000
P1 (SUCTION PAD DIA)	126

ESS	01	02	03	04	05	06
ENG	JP					
APP						
EDN	INT					
DATE						

ADVANCED ANALYSIS AND INTEGRATION LTD
 3RD FLOOR
 VANGUARD BUILDING
 CHICAGO AVE
 MANCHESTER AIRPORT BUSINESS PARK
 MANCHESTER M90 3DN, UK
 THIS DRAWING AND INFORMATION ARE THE CONFIDENTIAL AND COPYRIGHT PROPERTY OF ADVANCED ANALYSIS AND INTEGRATION LTD AND MUST NOT BE LOANED, COPIED OR USED FOR MANUFACTURE WITHOUT THEIR WRITTEN CONSENT

THIRD ANGLE PROJECTION

SHEET 1 OF 1

TITLE OVERALL DIMENSIONS OF DRILL GUIDE
 DWG NO AA1-062-07-02-4000L
 DRAWN JP
 DATE 15.08.10
 APPROVED